

LANCER



High Performance Dispenser

CED 1500

SPECIFICATIONS

DIMENSIONS

Width: 19 3/16 in (487 mm)
 Depth: 24 in (610 mm)
 Height: 25 3/8 in (645 mm)

ELECTRICAL

115V, 60Hz, 7.8 A
 Optional 230V, 50Hz, 4.4 A
 UL grounded cord and plug

WEIGHT

Shipping: 150 lbs (68 kg)
 Counter, with water: 261 lbs (118 kg)
 Ice bank: 30 lbs (14 kg)

FITTINGS

Stainless steel, labeled inlet
 Syrup and water: 3/8" barb

COMPRESSOR 1/3 Hp

MOTORS

Agitator: 25 W
 Condenser fan: 9 W

ICE BANK CONTROL

Lancer Electronic Ice Bank Control

TRANSFORMER 24VAC Secondary

VALVES LEV® standard

WATER BATH CAPACITY 13 gallons

REFRIGERATION CAPACITY

When supplied with 75°F (24°C) incoming water, 75°F (24°C) syrup and with room temperature at 75°F (24°C), the unit will dispense 395 twelve ounce drinks at a temperature of 40°F (4.5°C) or below, drawn at a rate of 2 drinks per minute. Full recovery of ice bank requires about 2.9 hours.

FLEX MANIFOLD CONFIGURATION

5 LEV® 2-2-1 with plain water option on 4

6 LEV® 3-2-1 with plain water option on 3, 4, & 5

Warranty: For warranty specifics by product, contact your Lancer Sales Representatives.



1500—High Performance

- 1/3 hp, 30 lb ice bank, flooded high performance manifold
- Stainless steel cabinet, water bath, product lines, and splash plate; removable refrigeration deck
- Insulation is CFC-free structural foam
- Flex manifold configuration for multiple non-carbonated drinks
- Available with 5 or 6 post-mix dispensing valves
- CFC-free, R134A refrigerant
- Optional lighted marquee kit and leg kit

DRAW PERFORMANCE

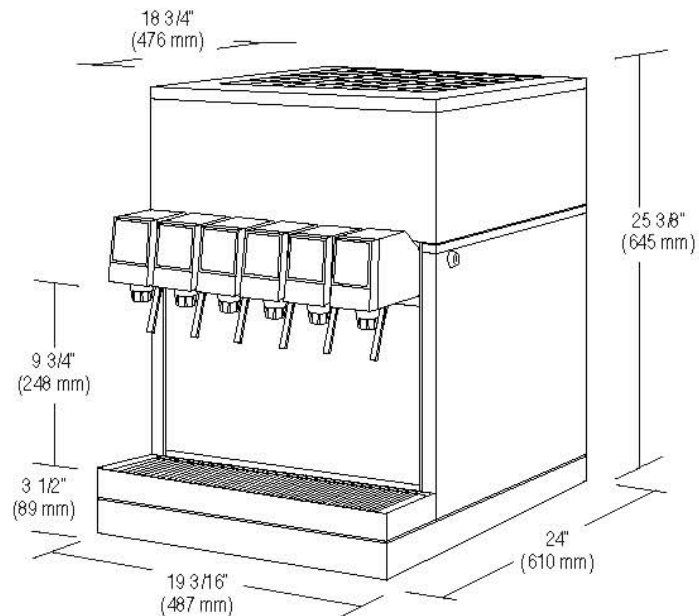
Number of Drinks Below 40°F (4.5°C)

75°F (24°C) Ambient Temperature

2-12 oz/min: 395
 4-12 oz/min: 220

90°F (32°C) Ambient Temperature

2-12 oz/min: 200
 4-12 oz/min: 106



LANCER®

Equipment design and/or specifications may change without notice.

CORPORATE OFFICE 6655 Lancer Blvd • San Antonio, TX 78219 • 210-310-7000 • 1-800-729-1500 • FAX 210-310-7250 • www.lancercorp.com
 "Lancer" is the registered trademark of Lancer Corporation • Copyright—2003 by Lancer, all rights reserved. "Coca-Cola" is a registered trademark of The Coca-Cola Company

38-1500-HI 03/03