

# LANCER



High Performance Dispenser

**CED 1500**

## SPECIFICATIONS

### DIMENSIONS

Width: 19 3/16 in (487 mm)  
 Depth: 24 in (610 mm)  
 Height: 25 3/8 in (645 mm)

### ELECTRICAL

115V, 60Hz, 7.8 A  
 Optional 230V, 50Hz, 4.4 A  
 UL grounded cord and plug

### WEIGHT

Shipping: 150 lbs (68 kg)  
 Counter, with water: 261 lbs (118 kg)  
 Ice bank: 30 lbs (14 kg)

### FITTINGS

Stainless steel, labeled inlet  
 Syrup and water: 3/8" barb

### COMPRESSOR 1/3 Hp

### MOTORS

Agitator: 25 W  
 Condenser fan: 9 W

### ICE BANK CONTROL

Lancer Electronic Ice Bank Control

### TRANSFORMER 24VAC Secondary

### VALVES LEV® standard

### WATER BATH CAPACITY 13 gallons

### REFRIGERATION CAPACITY

When supplied with 75°F (24°C) incoming water, 75°F (24°C) syrup and with room temperature at 75°F (24°C), the unit will dispense 395 twelve ounce drinks at a temperature of 40°F (4.5°C) or below, drawn at a rate of 2 drinks per minute. Full recovery of ice bank requires about 2.9 hours.

### FLEX MANIFOLD CONFIGURATION

5 LEV® 2-2-1 with plain water option on 4  
 6 LEV® 3-2-1 with plain water option on 3, 4, & 5

**Warranty:** For warranty specifics by product, contact your Lancer Sales Representatives.

### 1500—High Performance

- 1/3 hp, 30 lb ice bank, flooded high performance manifold
- Stainless steel cabinet, water bath, product lines, and splash plate; removable refrigeration deck
- Insulation is CFC-free structural foam
- Flex manifold configuration for multiple non-carbonated drinks
- Available with 5 or 6 post-mix dispensing valves
- CFC-free, R134A refrigerant
- Optional lighted marquee kit and leg kit

### DRAW PERFORMANCE

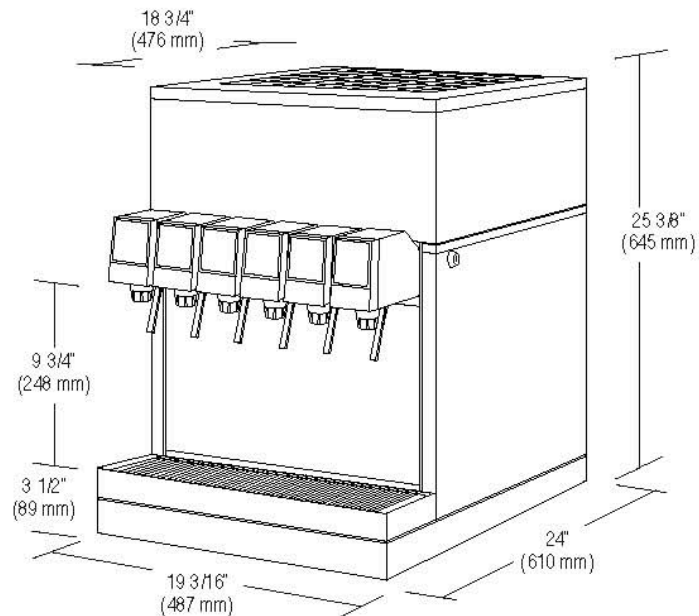
#### Number of Drinks Below 40°F (4.5°C)

##### 75°F (24°C) Ambient Temperature

2-12 oz/min:	395
4-12 oz/min:	220

##### 90°F (32°C) Ambient Temperature

2-12 oz/min:	200
4-12 oz/min:	106



# LANCER®

Equipment design and/or specifications may change without notice.

CORPORATE OFFICE 6655 Lancer Blvd • San Antonio, TX 78219 • 210-310-7000 • 1-800-729-1500 • FAX 210-310-7250 • [www.lancercorp.com](http://www.lancercorp.com)  
 "Lancer" is the registered trademark of Lancer Corporation • Copyright—2003 by Lancer, all rights reserved. "Coca-Cola" is a registered trademark of The Coca-Cola Company

38-1500-HI 03/03